



NEW! **SC-424-8F**
Cinema Loudspeaker System

Features

- Flyable 4-way tri-amplified screen channel speaker system
- Constructed of heavily braced, 15 mm tour-grade plywood
- Sixteen M10 attachment points per enclosure for safe and easy suspension
- Common dimensions of Mid/High and LF enclosures facilitate easy installation in vertical or horizontal arrays
- Unique HF/VHF diaphragm has less mass than traditional diaphragms resulting in exceptional dynamic range, extended high-frequency response and lower distortion
- Low-distortion waveguides provide highly articulate dialogue



Loudspeaker can also be arrayed vertically. Installer-provided mounting hardware shown.

Developed specifically for the unique requirements of Large Format motion picture playback, the SC-424-8F extends QSC's commitment to the cinema market. As a member of the DCS Digital Cinema Speaker Series, the SC-424-8F is a 4-way tri-amplified screen channel loudspeaker system comprised of two main units – the MHV-1090F mid/high/very-high-frequency system and the LF-4215-8F low-frequency system.

The MHV-1090F features a high output, horn loaded 10" midrange cone driver and a coaxial neodymium high-frequency/very-high-frequency compression driver. The MHV-1090F includes a driver protection network and a passive crossover for tri-amp operation. The protection circuitry prevents low-frequency signals from damaging the high-frequency and very high-frequency driver. A high power midrange driver allows operation as low as 250 Hz and the advanced phase plug coupling permits a crossover point of up to 1800 Hz to the high-frequency horn. This ensures that most of the dialog range is reproduced by a single element for unmatched intelligibility.

The coaxial neodymium high-frequency/very-high-frequency compression driver provides a dramatic improvement in dynamic response, clarity and transparency. The annular high-frequency diaphragm covers the frequency range between 1800 Hz and 7000 Hz with a smooth, linear response. The very-high-frequency driver covers the frequency range from 7000 Hz to 22,000 Hz and eliminates the dome break up of conventional drivers that can cause resonance and harsh, metallic sound.

The LF-4215-8F dual 15" (381 mm) low-frequency enclosure is designed specifically to address the extended low-frequency response required for cinema applications. The LF-4215-8F covers the frequency range from 35 Hz to 300 Hz.

The SC-424-8F is designed for ease of installation. The MHV-1090F and LF-4215-8F components come pre-assembled to reduce field assembly time. Both enclosures have the same dimensions to allow stacked or side-by-side arrays. Each enclosure is fitted with sixteen M10 attachments points for safe and secure suspension. All mounting hardware must be provided by the installer.

Specifications

SC-424-8F

Nominal Coverage	90° horizontal x +20 to -30° vertical
Frequency Range (-6 dB)	33 Hz – 22 kHz
Active Crossover Frequencies	300 and 1700 Hz, 24 dB per octave

LF-4215-8F

MHV-1090F

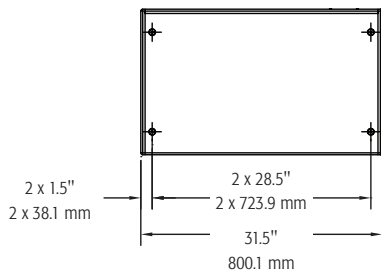
Impedance	8Ω	MF: 8Ω HF: 8Ω VHF: 8Ω
Sensitivity 1 watt/1 meter, half space	99.5 dB	MF: 105 dB HF/VHF: 107.5 dB
Maximum Input Power ¹		
8 hours of 6 db crest factor IEC 268 noise spectrum	800 W RMS	MF: 185 W RMS HF/VHF: 155 W RMS
2 hours of 6 db crest factor pink noise, 200 Hz – 2 kHz, AES method	1000 W RMS	MF: 275 W RMS HF/VHF: 230 W RMS maximum
Recommended Amplifier Power	1600 W RMS maximum	MF: 800 W RMS maximum HF/VHF: 500 W RMS maximum
Recommended Processing	Subsonic filter below 30 Hz, >18 dB per octave	4th order LR crossover at 300 and 1700 Hz via QSC DCP, DCM or QSCControl.net™
Connectors	Neutrik Speakon™ NL4	Neutrik Speakon™ NL4
Pin Outs	1+/1- LF; 2+/2- NC	1+/1- MF; 2+/2- HF/VHF
Transducers	Two 15" (381 mm) high-efficiency, extended bass woofers featuring 4" copper voice coils	MF: 10" high-efficiency, horn-loaded cone with phase plug HF/VHF: coaxial neodymium compression driver with 3.5" (90 mm) HF voice coil and 1.75" (44 mm) VHF voice coil
Enclosure	Heavily braced 15 mm tour-grade plywood with sixteen M10 load-rated attachments points	
Dimensions (HWD)	40" x 31.5" x 19" (1016 mm x 800.1 mm x 482.6 mm)	40" x 31.5" x 19" (1016 mm x 800.1 mm x 482.6 mm)
Weight – Net / Shipping	134 lb (61 kg) / 144 lb (65 kg)	121 lb (54.8 kg) / 132 lb (59.7 kg)
System Weight – Net / Shipping	255 lb (116 kg) / 276 lb (125 kg)	

1) Maximum input power tested in accordance with IEC 268-5 recommendations, 50 Hz – 20 kHz band limiting, 6 dB signal crest factor. All proposed mounting systems should be reviewed by a qualified structural engineer.

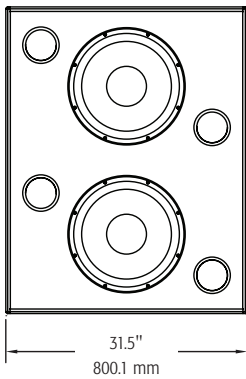
SC-424-8F

Dimensions

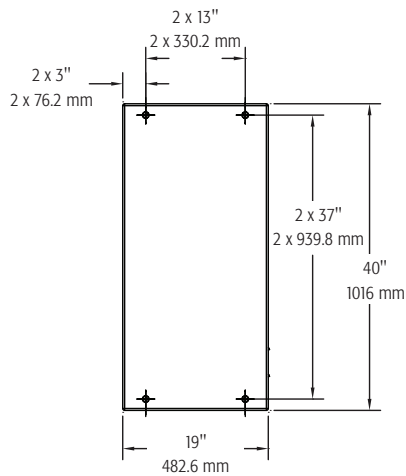
LF-4215-8F



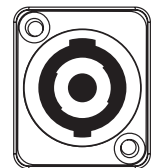
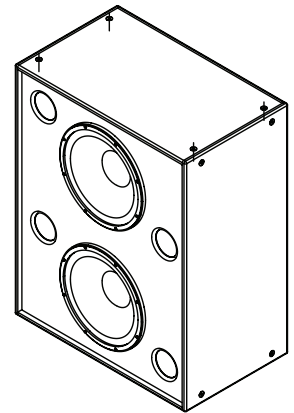
Top



Front

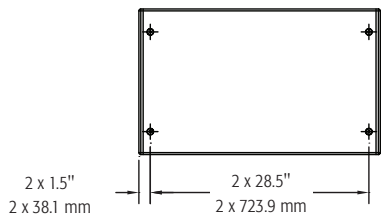


Side

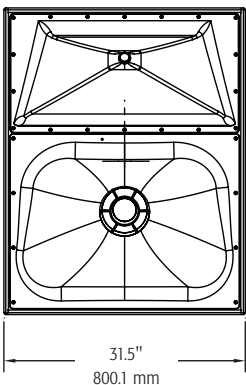


	LF		No Connection	
INPUT	1+	1-	2+	2-
PINOUT	POS	NEG	N/A	N/A

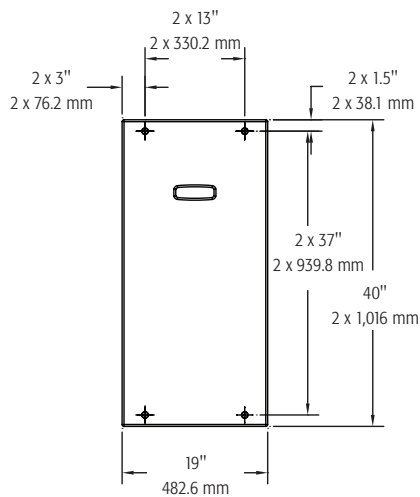
MHV-1090F



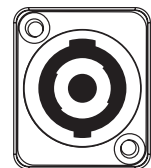
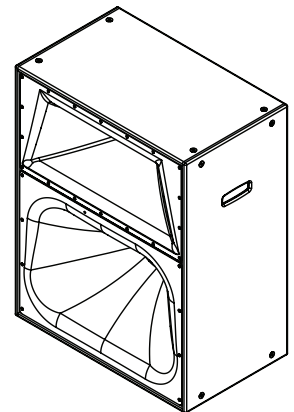
Top



Front



Side



	MF		HF/VHF	
INPUT	1+	1-	2+	2-
PINOUT	POS	NEG	POS	NEG

Specifications subject to change without notice.

please recycle 

©2009 QSC Audio Products, LLC. All rights reserved. QSC, the QSC logo and QSCControl.net are registered trademarks of QSC Audio Products, LLC in the U.S. Patent and Trademark office and other countries. Speakon is a trademark of Neutrik. All other trademarks are the property of their respective owners. Patents may apply or be pending.

1675 MacArthur Boulevard • Costa Mesa, CA 92626 • Ph: 800/854-4079 or 714/957-7100 • Fax: 714/754-6174

SC-424-8F Spec Sheet - 10/05/09

QSC
qscaudio.com